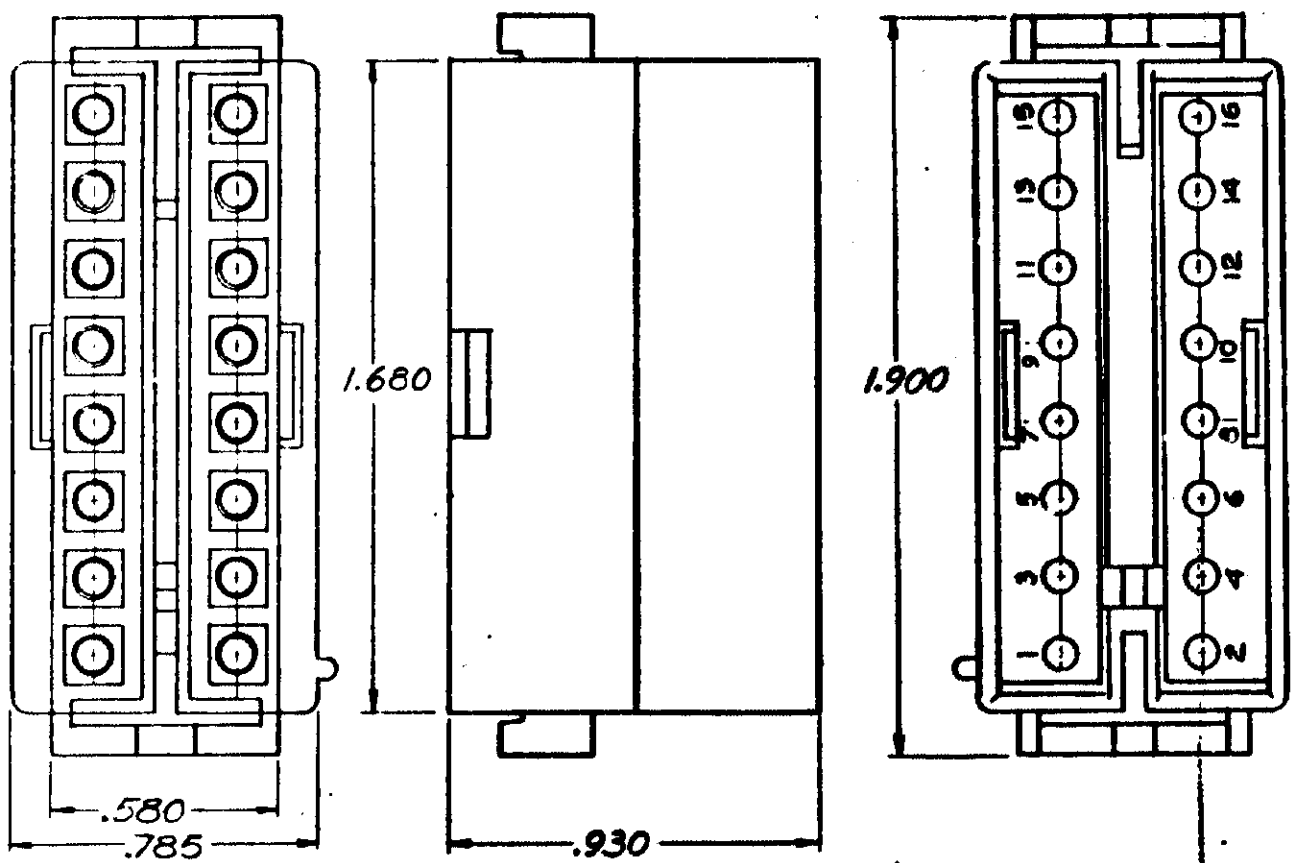


PART NUMBER 480439



1. TO BE USED WITH MATE-N-LOK PINS.
2. TO BE USED WITH PLUG 980938.

DIMENSIONS IN INCHES DO NOT SCALE PRINT

Unpublished copy not to be reproduced nor published without written permission of AMP Incorporated

U-480439-0	NYLON	NATURAL
NUMBER	MATERIAL	COLOR

B	OBSOLETE	RS	RS	7/7/86
A	RESTORED	CM	RS	85-85
A	ADDED - 1 THRU - 9	JRK	JRK	4/28/65
0	RELEASED	JRK	JRK	7/28/67
LTR	REVISION RECORD	DR	CHK	DATE

©1966 BY AMP INCORPORATED, ALL RIGHTS RESERVED. AMP PRODUCTS COVERED BY PATENTS AND/OR PATENTS PENDING.

MATERIAL AND FINISH
SEE TABLE

WIRE — RANGE — INSULATION
— X — — X —

TOLERANCE EXCEPT AS NOTED
± .015 ± 1°

SCALE
2x1

NAME
16 CIRCUIT MATE-N-LOK CAP

CUSTOMER COPY REFERENCE ONLY

AMP AMP INCORPORATED HARRISBURG, PENNA.

CLASS .086 PIN HOUSING

TYPE MOTOR MOUNT

LOC CM NO A REV B

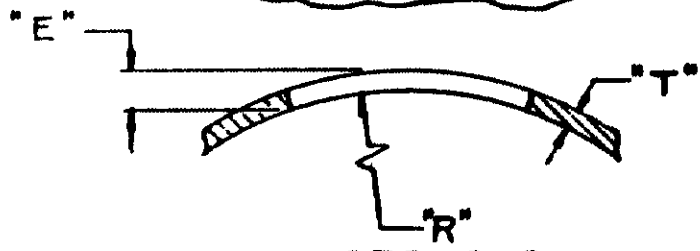
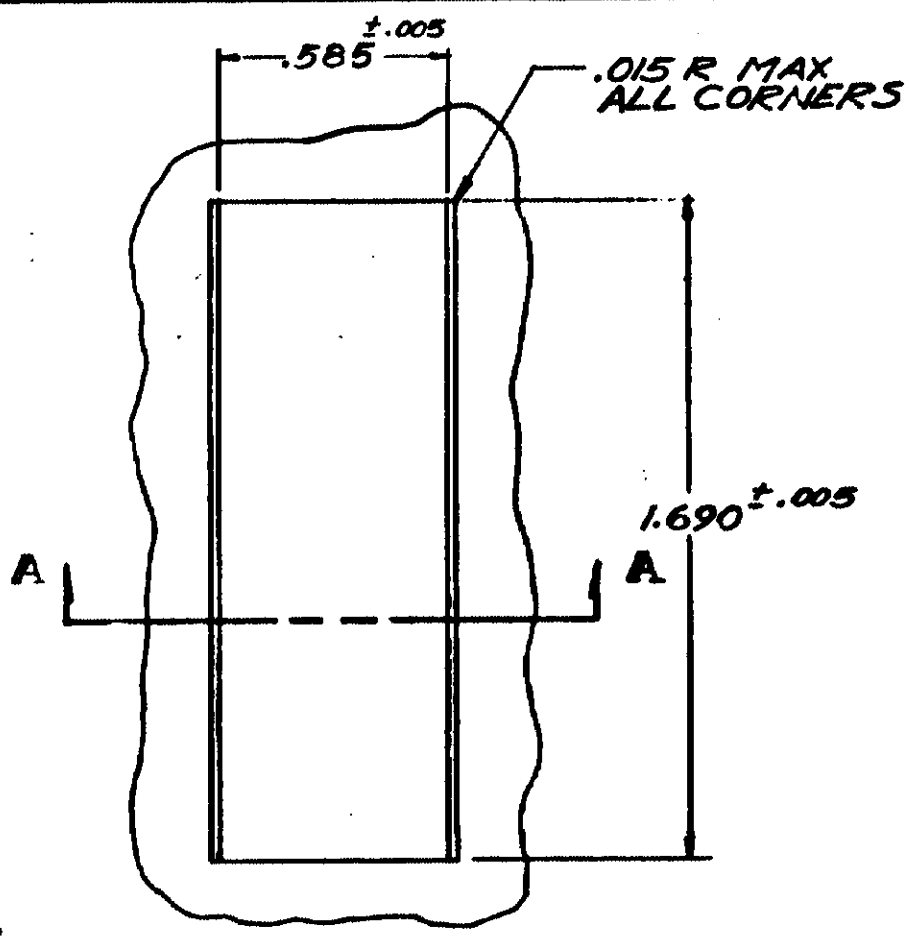
NO 480439

DR J. P. KUNKLE

APP W. F. ... 1/24/67

58

DRAWING NUMBER 480439



SEC. A-A

1. EFFECTIVE PANEL THICKNESS "E" IS .040-.100 AND IS DEPENDENT ON "T" AND "R".
2. CAP MUST BE INSERTED IN A ROCKING MANNER.
3. THE PANEL MUST BE PUNCHED SO THAT THE HOUSING ENTERS THE PANEL IN THE SAME DIRECTION AS THE PUNCH
4. PANEL MUST NOT HAVE ANY MATERIAL (PAINT, PORCELAIN, ETC.) APPLIED IN THE MOUNTING HOLE AREA THAT WOULD DECREASE RETENTION OF THE HOUSING IN THE PANEL.

DIMENSIONS IN INCHES DO NOT SCALE PRINT

				©1966 BY AMP INCORPORATED. ALL RIGHTS RESERVED. AMP PRODUCTS COVERED BY PATENTS AND/OR PATENTS PENDING.		CUSTOMER COPY REFERENCE ONLY			
				MATERIAL AND FINISH _____ X _____		AMP INCORPORATED HARRISBURG, PENNA.			
WIRE — RANGE — INSULATION — X — — X —		CLASS _____ X _____		TYPE _____ X _____					
LTR	REVISION RECORD	DR	CHK	DATE	TOLERANCE EXCEPT AS NOTED ± 1° 0'	SCALE 2x1	LOC CM	NO A	REV B

DR J. P. YUNKLE
 DE _____
 APP J. P. YUNKLE / 125/67
 DATE 1/24/67

NAME **RECOMMENDED MOUNTING INFORMATION FOR 16 CIRCUIT MATE-N-LOK MOTOR MOUNT CAP**
 SHEET 1 OF 2